

# ASTREL

## EasyNova CONTROL

A new engine in a sparkling technology





With **EasyNova**, the line EASY completes now the range of controls for SPAs characterised by a user-friendly design and by the unmistakable yellow colour, which have been developed in Europe in co-operation with **GeckoAlliance**.



## EasyNova

### The features of EasyNova.

**Flexibility:** **EasyNova** has been designed so as to manage plant configurations for SPAs even if they are very different one from another, by easing the OEM which can manage the production of an entire SPA range of products through a single component.

**Automatic Programming:** the **EasyNova** control can be configured in an easy, fast way without any possibility of mistakes thanks to a **programming key**. With this device the system configuration procedure can be made automatically, thus avoiding a

configuration from keypad or straightforwardly from the dipswitch.

**Variable speed:** **EasyNova** envisages a 5/10 V output for directing a pump and a variable speed blower

**Smart management of Loads:** **EasyNova** manages the priority of switching off of loads with relation to the power really absorbed by the SPA and according to the number of loads which have been activated. And this thanks to an automatic system for the detection of the absorption of all devices connected with the control.

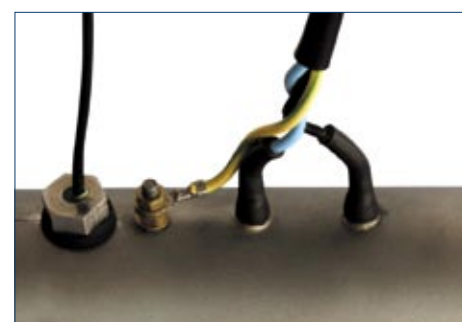
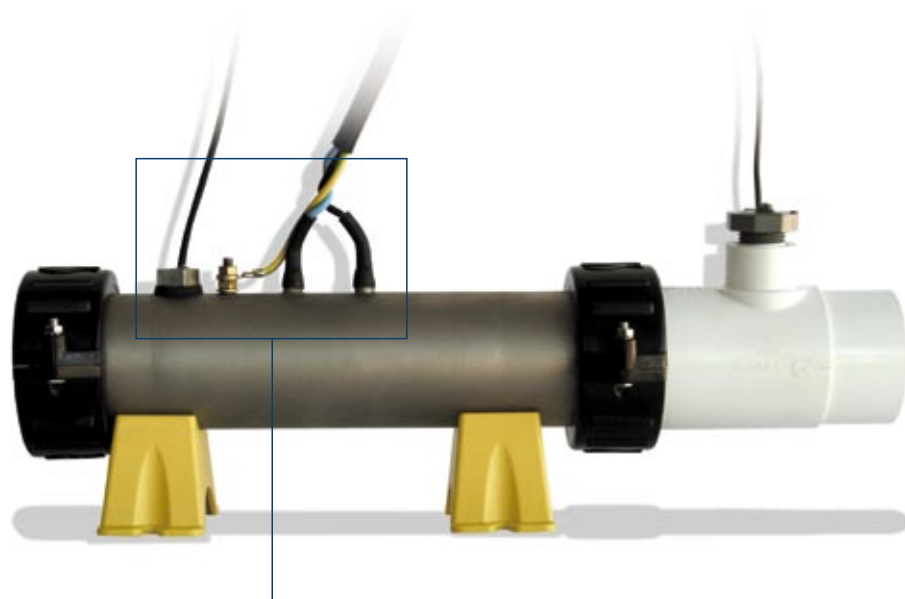
**Compensation Vat Management:** **EasyNova** has been designed so as to control directly a compensation pool, integrating the

management of two level sensors and an electrovalve.

**Care for Environment:** the system has been manufactured so as to use an electric heater and a heat exchanger at the same time, by offering the possibility of using alternative energies (i.e. solar panels).

**Easy up-grade:** thanks to an asynchronous serial gate placed on the card and to an interface (for instance RS485) it is possible to connect a wide range of accessories with the EASYNova control, which come along if requested by customers.

**EasyNova** is fully compatible with the following keypad models: **TSC 4, TSC 8, TSC 35, TSC 19** and the auxiliary keypad **TSC 3**.



### Available heaters: EasyHeater

Just like all products of the line **EASY** also **EasyNova** can be matched with the range of **EasyHeater**, single-phase heaters of the **2,0 kW, 3,0 kW** and **3,6 kW** versions, which can be ordered separately according to one's needs.

#### The EASYHEATER heaters are:

- Totally waterproof.
- Certified in compliance with the EN 60335-2-60 European standards.
- Equipped with a Hi-Limit temperature probe (in the new version the probe

guarantees a faster response to thermal gradients thanks to its positioning inside the heater itself).

- Delivered with safety devices (fluxstat or pressurestat).

### Mechanical description.

#### Way of connection.

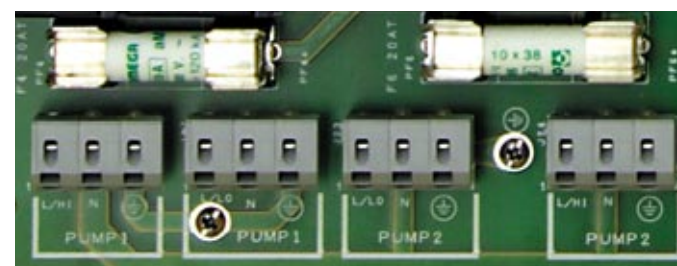
- J&J connector.
- Through terminals and by tightening some cableglants.

#### Fixing system.

- The container, thanks to the upper and lower hooks (which can be removed if necessary) can be easily attached on both a horizontal and a vertical plan.
- Its fixing to the base is made easier by the use of two templates, which are available in the kit.
- The attaching spots have been reduced on the control card so as to make assembling or replacement easier.

#### Simple and intuitive assembling.

- All connections, both main and auxiliary ones, are easily detectable thanks to the markings printed on the card.
- All connectors related to the external loads are located at the card sides.
- The fuses can be clearly detected and are placed close to the loads they are associated with.
- The whole for the passage of the connecting cables of the optional accessories are blind and pre-cut, so as to make the insertion of cableglants easier, if they are used.



## Main technical and functional features

Connections	Availability	Absorption
230Vac/50Hz single-phase power supply	•	Up to 32 A
380Vac/50Hz three-phase power supply	•	Up to 16 A for each phase
Pump 1 (single/double speed)	•	Up to 2 CV (1,5 kW)
Pump 2 (single/double speed)	•	Up to 2 CV (1,5 kW)
Pump 3 (single speed)	•	Up to 2 CV (1,5 kW)
Variable speed pump control	•	Analogic signal: 0 - 5V/0-10V
Recirculation pump	•	Up to 0.75 CV (550W)
Blower (single speed)	•	Up to 6 A (1.2 kW)
Variable speed blower control	•	Analogic signal: 0 ÷ 5 V / 0 ÷ 10 V
Ozonising device	•	230 Vac, 1 A / 12 Vac, 350 mA
Light	•	12 Vac, 2A max
Electric heater	•	2 kW / 3 kW / 3,6 kW
Heat exchanger	•	230 Vac, 5 A
Auxiliary output	•	230 Vac, 5 A
Compensation vat	•	
TSC-4/TSC-8 Main keypad	0	
TSC-19/TSC-9/TSC-35 Main keypad	0	
TSC 3 Auxiliary keypad	0	

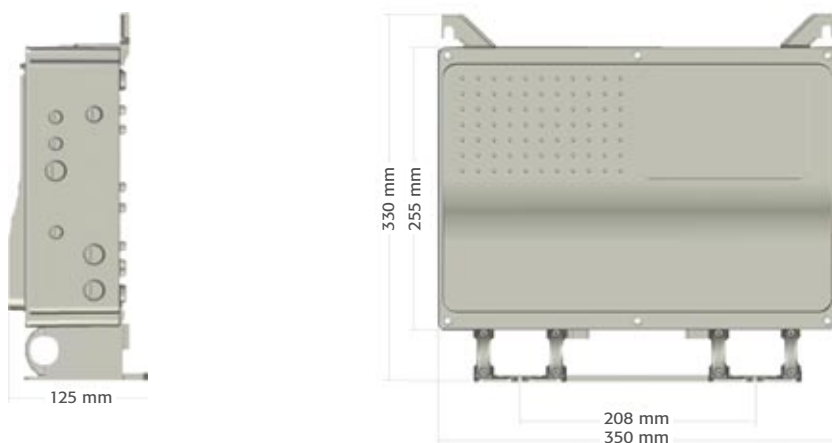
### Accessories

EasyHeater 2.0 kW heater	0
EasyHeater 3.0 kW heater	0
EasyHeater 3.6 kW heater	0
Temperature limit probe	0
Water temperature probe	•
Water level sensor	0
Fluxstat	0
DJS jet dynamic sequencer	0
Programming key	0
Halogen Light/Led	0
RS 485 Serial gate	0
Minimum water flow	95 l/min

Symbols: • standard / 0 optional / ND not available

## Characteristics of delivery and dimensions

With fixing feet at the base, upper side hooks + two fixing template.



# ASTREL

**Astrel S.r.l.**  
 Via Isonzo, 21/E - 34070 Mossa (GO) Italia  
 Tel. +39 0481 637301 - Fax +39 0481 637392  
 info@astrel.it  
 www.astrel.it

© ASTREL S.r.l. 2007 all rights reserved  
 ASTREL reserves the right to modify the  
 features of its products without prior notice.

+30A000151 R1.0