

ASTREL

EasyMini CONTROL

A new engine in a sparkling technology





EasyMini is the entry-level version of the EASY line, developed according to the **EasyNova** concept, in co-operation with **GeckoAlliance**.



EasyMini

The characteristics of EASYMINI are.

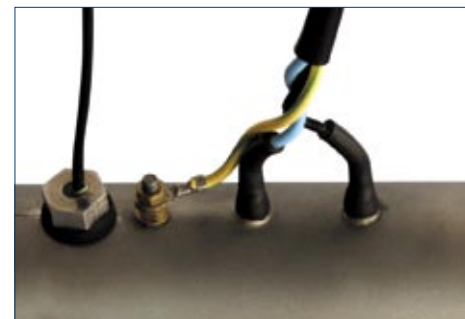
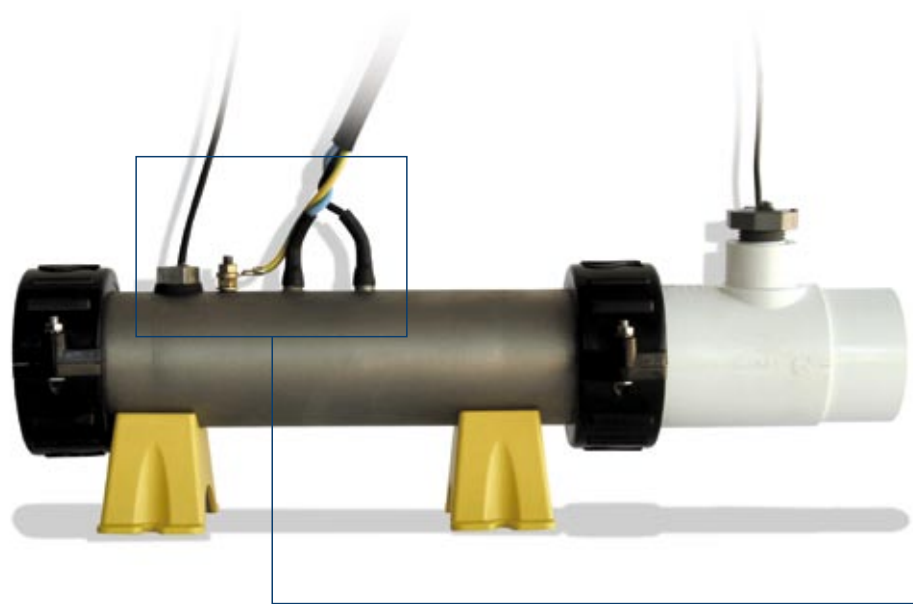
Automatic Programming: the **EasyMini** control can be configured in a simple and fast way, without the possibility of mistakes, thanks to a **programming key**. The system configuration procedure can be made automatically through this device, thus avoiding the configuration from keypad or directly from a dipswitch.

Small Dimensions: the **EasyMini**, thanks to its reduced size, has a quite small bulk size and weight.

Smart Management of Loads: **EasyMini** manages the priority of switching off the loads according to the power which is really absorbed by the SPA and not on the basis of the number of activated loads. And this thanks to an automatic detection system of the absorption of all devices connected with the control.

Easy up-grade: thanks to an asynchronous serial gate placed on the card and to an interface (for ex. RS485) you can connect a wide range of accessories to the **EasyMini** control, which are delivered if specifically required by the customers.

EasyMini keeps its full compatibility with the following keypad models: **TSC 35, TSC 19 e TSC 9**.



Mechanical description.

Way of connection.

- Through clamps and tightening through cableglands.

Fixing system.

- Thanks to the upper and lower hooks (they can be disassembled if necessary) you can easily fix it on both a horizontal and vertical plan.
- Its fixing to the base is made easier by using to templates, which come along in the kit.
- The number of fixing spots of the card to the control have been reduced so as to ease assembling or replacement.

Easy and intuitive assembling.

- All connections, both main and auxiliary ones, can be easily detected thanks to the marking printed on the card.
- All connectors related to external loads can be found at the card sides.
- The fuses can be detected in a clear way and they are located close to the loads they are associated with.
- The holes for the passage of connection cables of the optional accessories are blind and pre-cut so as to ease the insertion of a cableglend if it is to be used.

Available heaters: EasyHeater

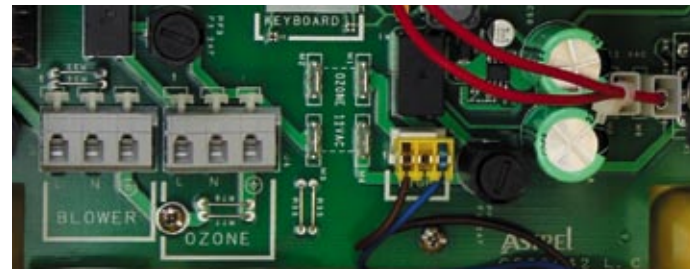
Just like the products of the **EASY** line also **EasyMini** can be matched with the range of **EasyHeater**, single-phase heaters in the **2,0 kW, 3,0 kW** and **3,6 kW** versions which can be ordered separately according to each customer's needs.

The EASYHEATER heaters are:

- Totally waterproof.
- Certified in compliance with the EN 60335-2-60 European standards.
- Equipped with a Hi-Limit temperature probe (in the new version the probe

guarantees a faster response to thermal gradients since it is positioned inside the heater itself).

- Delivered with safety devices (fluxstat or pressurestat).



Main technical and functional features

Connections	Availability	Absorption
230 Vac/50 Hz single-phase power supply	•	Up to 32 A
380 Vac/50 Hz three-phase power supply	ND	Up to 16 A for each phase
Pump 1 (single/double speed)	•	Up to 2 CV (1,5 kW)
Pump 2 (single speed)	•	Up to 2 CV (1,5 kW)
Pump 3 (single speed)	ND	
Recirculation pump	ND	
Blower (single speed)	•	Up to 6 A (1.2 kW)
Variable speed Blower	ND	
Ozonising device	•	230 Vac, 1 A / 12 Vac, 350 mA
Light	•	12 Vac, 2A max
Electric heater	•	2 kW / 3 kW / 3,6 kW
Heat exchanger	ND	
Compensation vat	ND	
TSC-19/TSC-9/TSC-35 main keypad	•	
TSC 3 auxiliary keypad	ND	

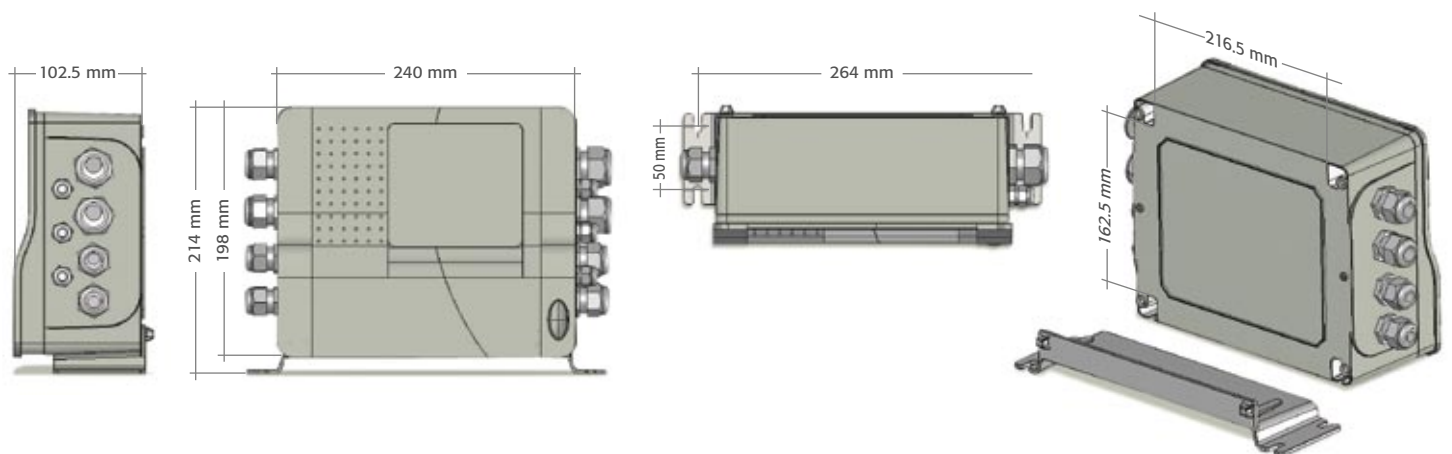
Accessories

EasyHeater 2.0 kW heater	o
EasyHeater 3.0 kW heater	o
EasyHeater 3.6 kW heater	o
Temperature limit probe	o
Water temperature probe	•
Water level sensor	o
Fluxstat	o
DJS jet dynamic sequencer	o
Infra-red remote control	ND
Programming key	o
Halogen Light/Led	o
RS 485 Serial Gate	o
Minimum water flow	95 l/min

Symbols: • standard / o optional / ND not available

Characteristics of delivery and dimensions

With a fixing bracket to slipped in at the base.



ASTREL

Astrel S.r.l.
 Via Isonzo, 21/E - 34070 Mossa (GO) Italia
 Tel. +39 0481 637301 - Fax +39 0481 637392
 info@astrel.it
 www.astrel.it

© ASTREL S.r.l. 2007 all rights reserved
 ASTREL reserves the right to modify the
 features of its products without prior notice.

+30A000161 R1.0